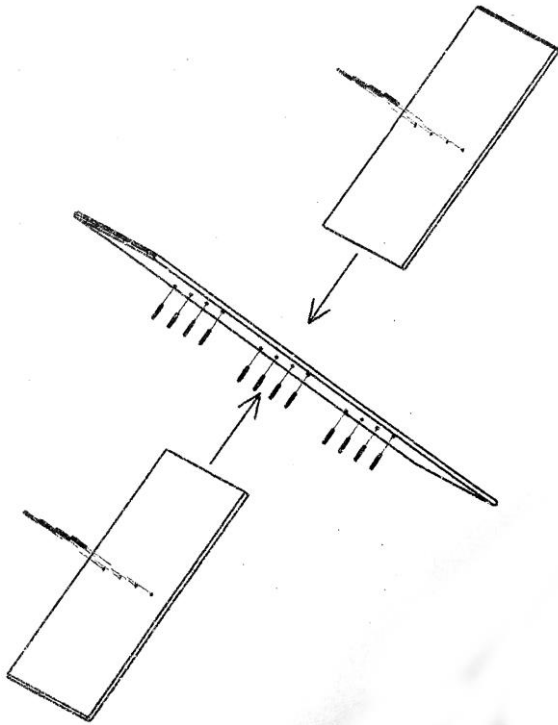
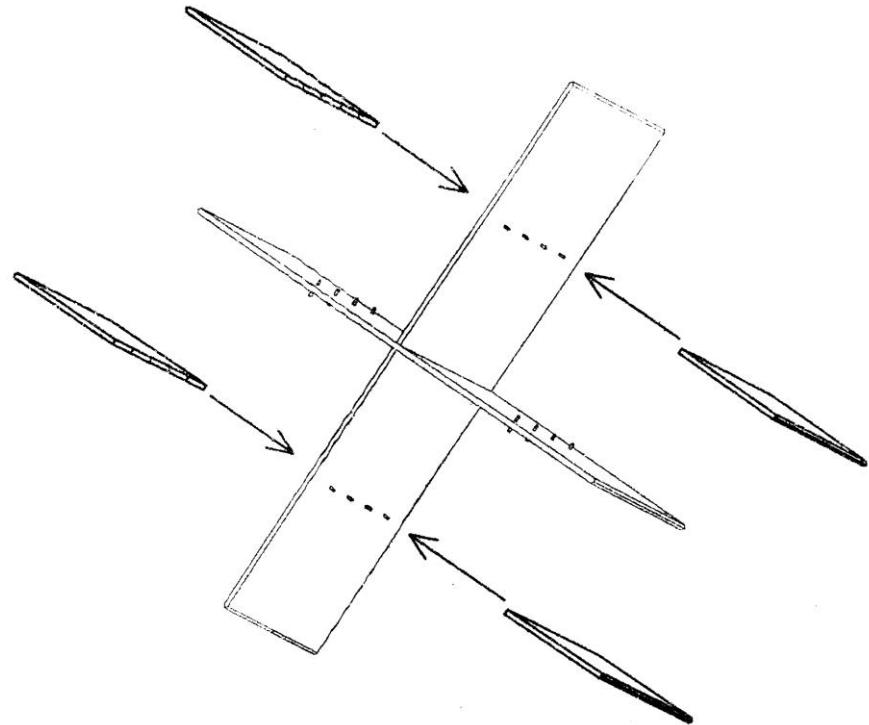


Country Pine Cube Mega Storage

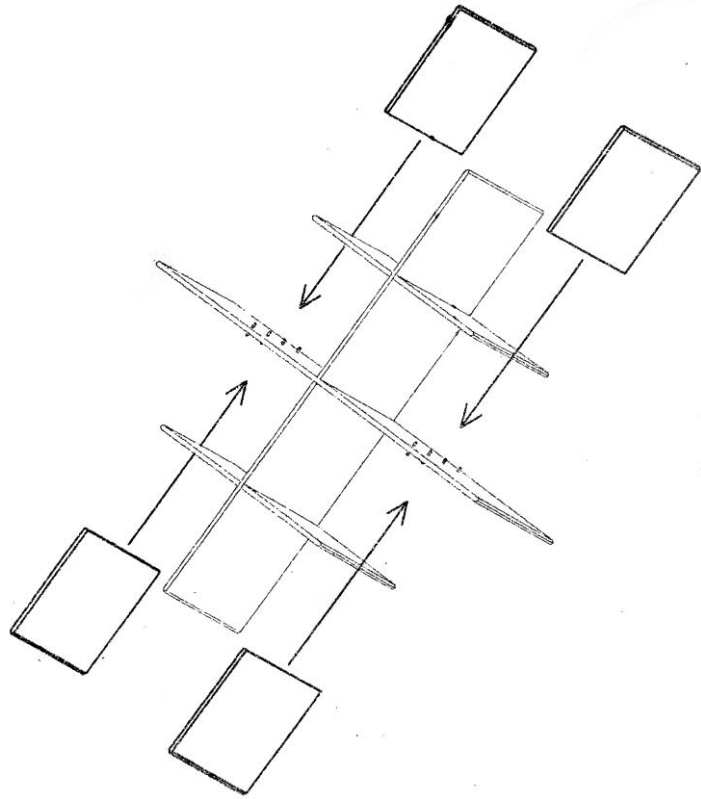
STEP 1 INSTALL DOWELS



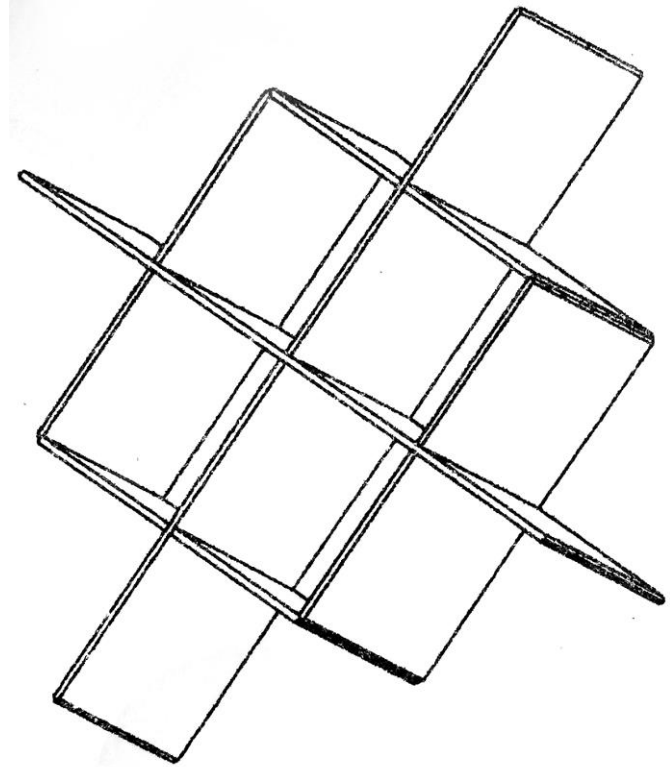
STEP 2



STEP 3

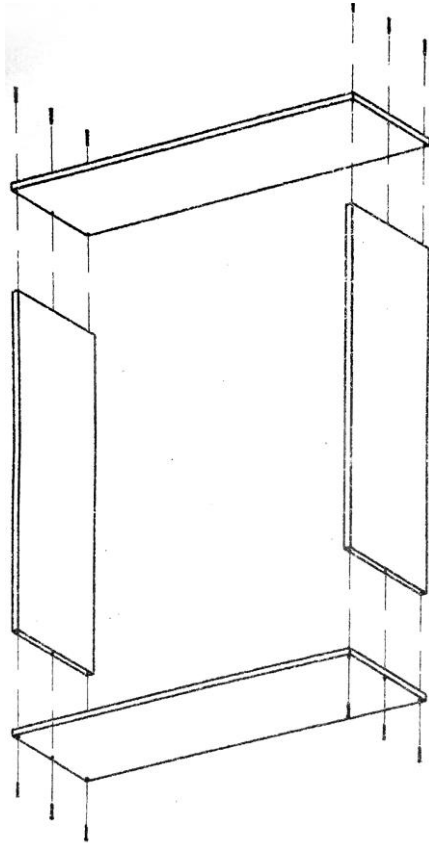


STEP 4

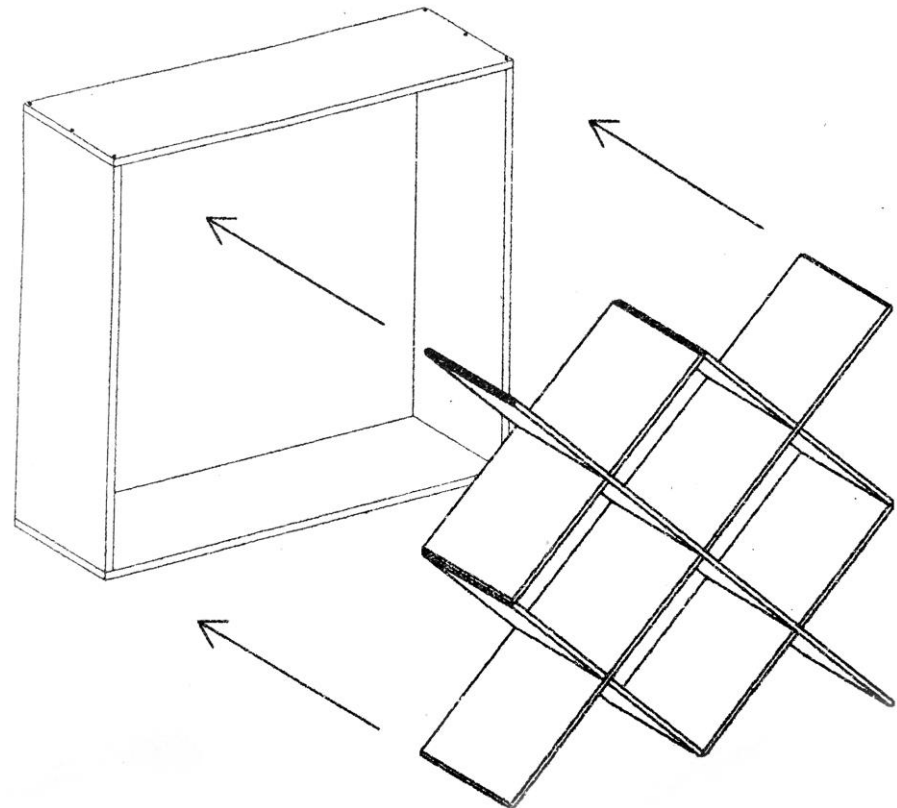


STEP 5

DO NOT TIGHTEN SCREWS. CUBE NEEDS TO BE A LOOSE FIT SO THAT THE CROSS PIECES MAY BE FITTED.



STEP 6



STEP 7

SCREWS MAY NOW BE TIGHTENED

